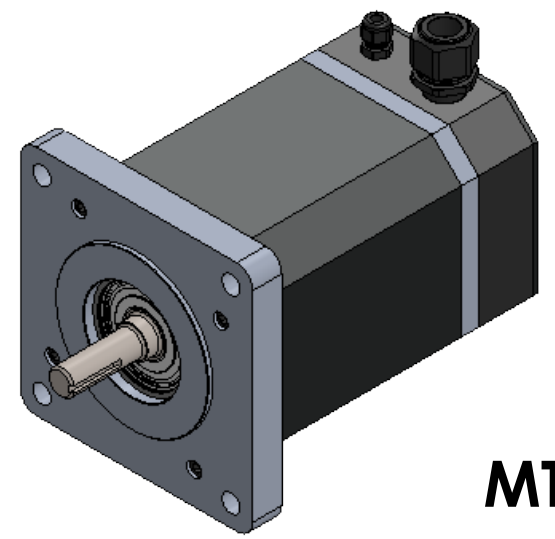
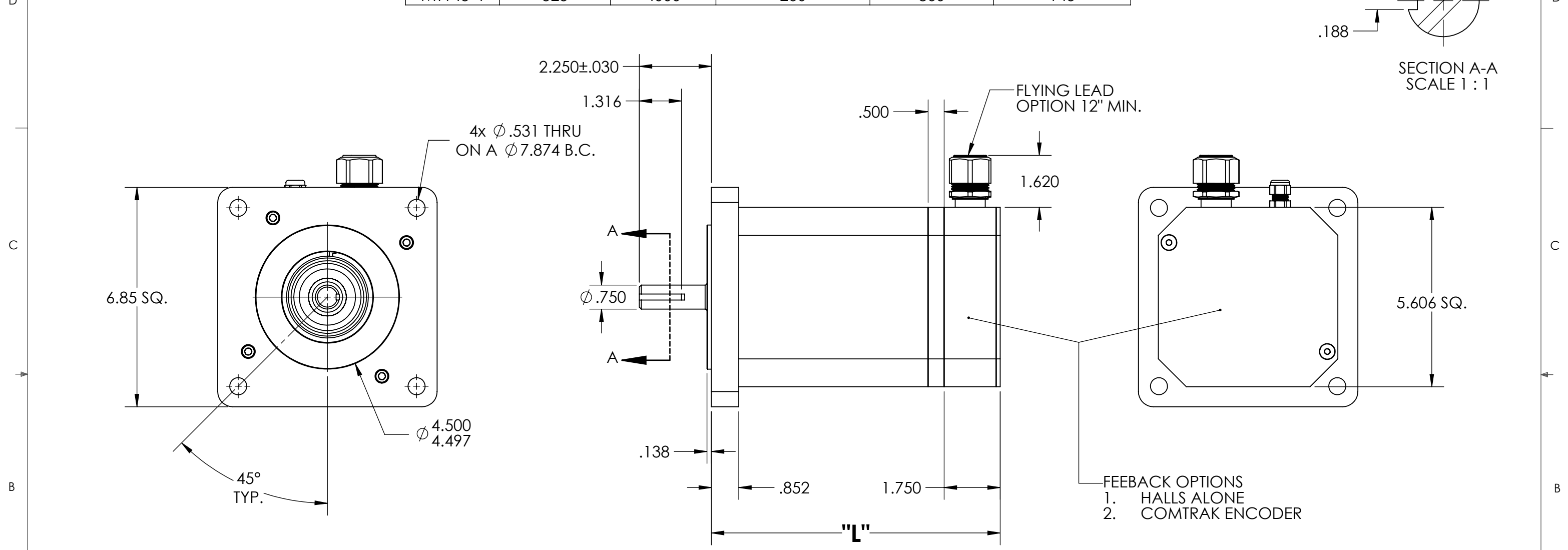
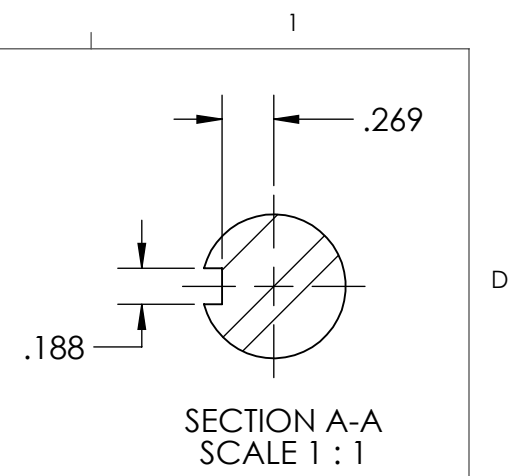


MOTOR LENGTHS	
STACK SIZE	LENGTH "L"
1 STACK	6.016
2 STACK	7.016
3 STACK	8.016
4 STACK (SHOWN)	9.016

MOTOR MODEL	MAX VOLTAGE (V)	MAX SPEED (RPM)	MAX CONTINUOUS TORQUE (LB-IN)	MAX PEAK TORQUE (LB-IN)	MAX OPERATING TEMP (C°)
MT142-1	325	4000	65	215	145
MT142-2	325	4000	130	430	145
MT142-3	325	4000	195	645	145
MT143-4	325	4000	260	860	145



MT142, 8 POLE

- OTHER OPTIONS AVAILABLE UPON REQUEST:**
- FRONT SHAFT SEAL
 - THERMOSTAT OR THERMISTOR

REVISIONS			
DESCRIPTION	REV.	DATE	APP'VD

PROPRIETARY AND CONFIDENTIAL
THE INFORMATION CONTAINED IN THIS DRAWING IS CONFIDENTIAL AND THE SOLE PROPERTY OF TRU TECH SPECIALTY MOTORS. ANY REPRODUCTION IN PART OR AS A WHOLE WITHOUT THE WRITTEN PERMISSION OF TRU TECH SPECIALTY MOTORS IS PROHIBITED.

UNLESS OTHERWISE SPECIFIED	
DIMENSIONS: Inches [MILLIMETERS]	
TOLERANCES: LINEAR X.XX: \pm .01 [.25] LINEAR X.XXX: \pm .005 [.13] ANGULAR: \pm 1/2°	
MATERIAL	MT142
FINISH	
PROJECT	FASTRACK
STATUS	ACTIVE

TruTech Specialty Motors

SIZE B	TITLE: MT142 SERIES
DATE 08/10/2016	SIGNATURE JAL
PART NUMBER: 53-XXXX	
SCALE: 1:3	SHEET 1 OF 1

P1 REV