

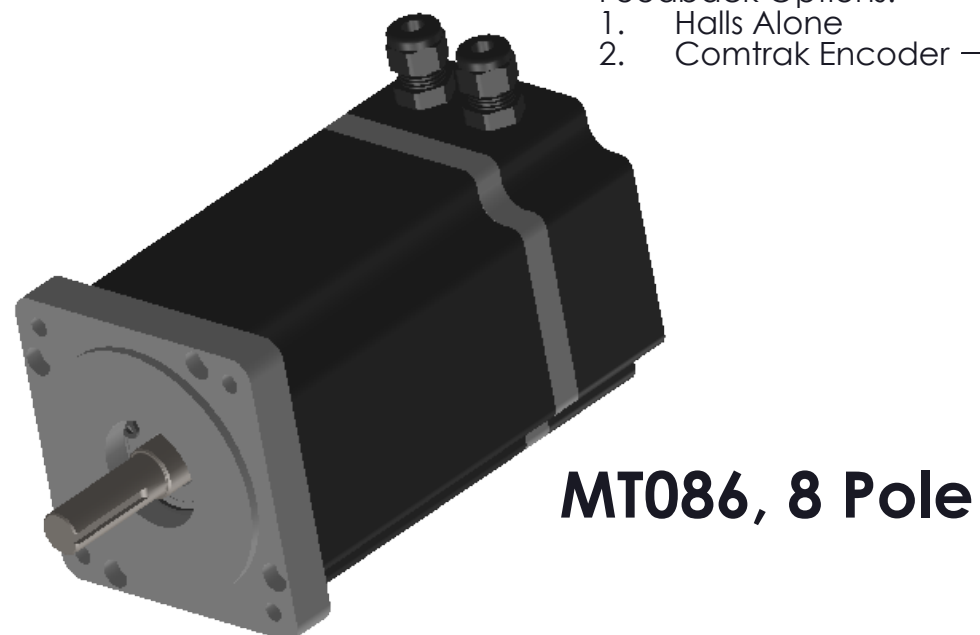
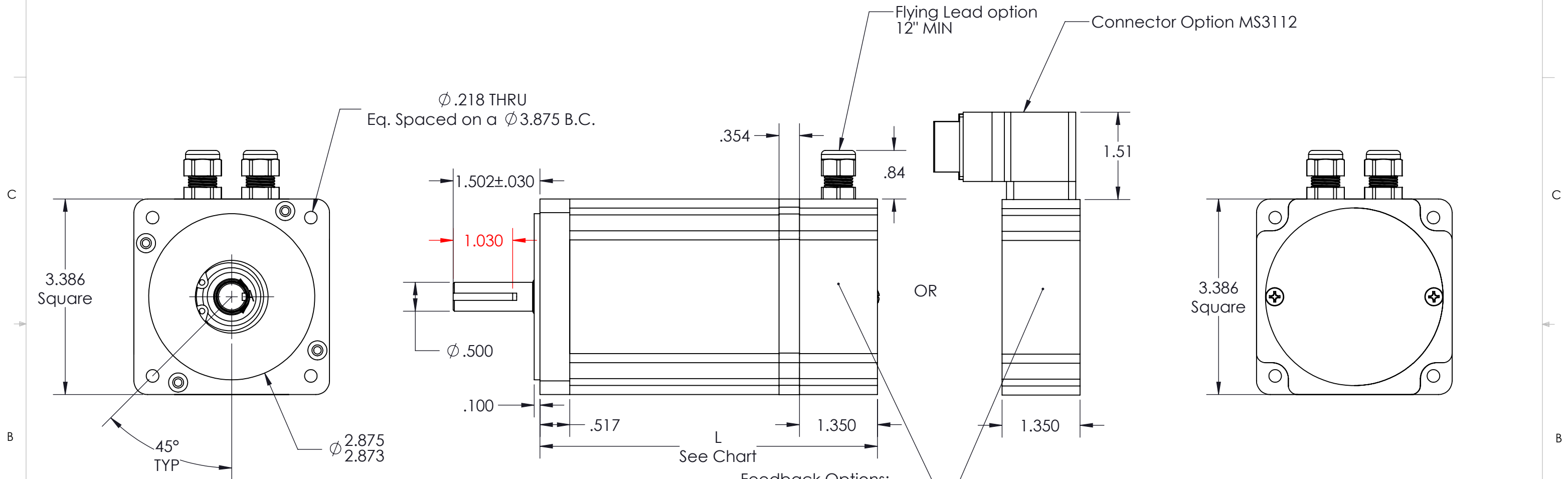
| Motor Lengths | |
|-----------------|-----------------|
| Stack Size | Length -L- [in] |
| 1 Stack | 4.662 |
| 2 Stack (Shown) | 5.843 |
| 3 Stack | 7.024 |
| 4 Stack | 8.205 |

| MOTOR MODEL | MAX VOLTAGE (V) | MAX SPEED (RPM) | MAX CONTINUOUS TORQUE (LB-IN) | MAX PEAK TORQUE (LB-IN) | MAX OPERATING TEMP (C°) |
|-------------|-----------------|-----------------|-------------------------------|-------------------------|-------------------------|
| MT086-1 | 325 | 6000 | 16 | 60 | 145 |
| MT086-2 | 325 | 6000 | 32 | 120 | 145 |
| MT086-3 | 325 | 6000 | 47 | 180 | 145 |
| MT086-4 | 325 | 6000 | 62 | 240 | 145 |

Other options available upon request:

- Front shaft seal
- Thermostat or Thermistor

◇ MT086 2 Stack Shown



MT086, 8 Pole

DETAIL A
SCALE 6 : 5

| UNLESS OTHERWISE SPECIFIED: | | <i>TruTech Specialty Motors</i> | | |
|--|--|--|----------------|-----------|
| DIMENSIONS: INCHES [Millimeters] | | NAME | DATE | TITLE: |
| TOLERANCES: ANGULAR: ±1/2° TWO PLACE DECIMAL ±.01[.25] THREE PLACE DECIMAL ±.005[.13] | | DRAWN | CR | 5/17/2016 |
| Motor Class | | CHECKED | | |
| Production Level: | | ENG APPR. | | |
| Material: | | PROPRIETARY AND CONFIDENTIAL THE INFORMATION CONTAINED IN THIS DRAWING IS CONFIDENTIAL AND THE SOLE PROPERTY OF TRU TECH SPECIALTY MOTORS. ANY REPRODUCTION IN PART OR AS A WHOLE WITHOUT THE WRITTEN PERMISSION OF TRU TECH SPECIALTY MOTORS IS PROHIBITED. | | |
| Project: FastTrack | | | | |
| | | SIZE | Part Number: | REV |
| | | B | 53-XXXX | A |
| | | SCALE: 3:5 | SHEET 1 OF 1 | |