

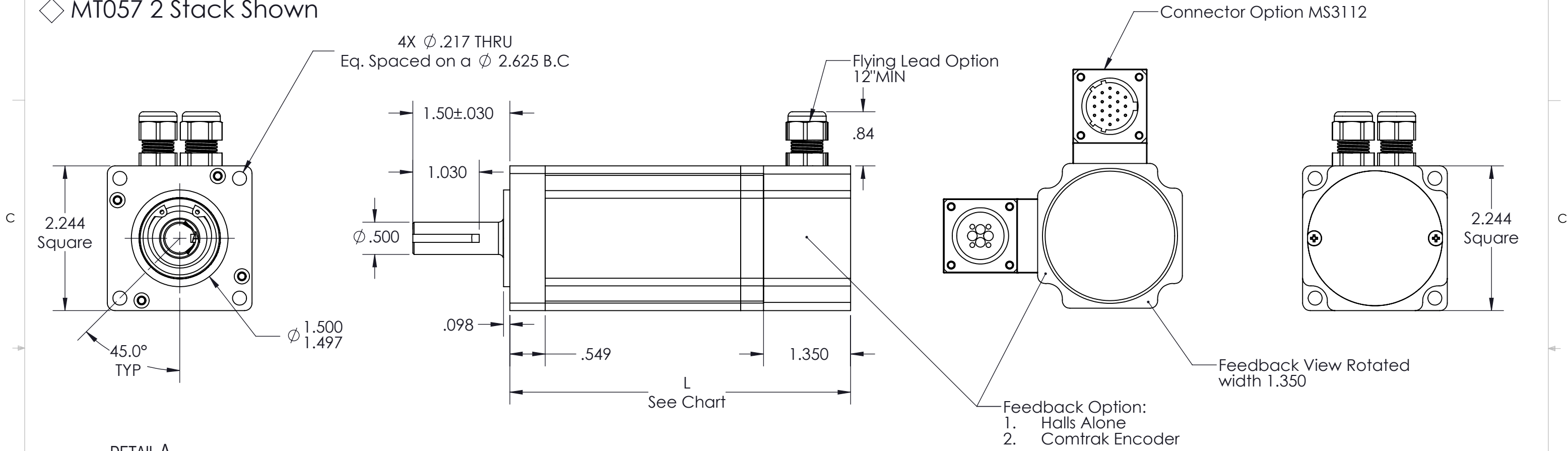
Motor Lengths	
Stack Size	Length -L- [in]
1 Stack	4.268
2 Stack (Shown)	5.284
3 Stack	6.300
4 Stack	7.316

MOTOR MODEL	MAX VOLTAGE (V)	MAX SPEED (RPM)	MAX CONTINUOUS TORQUE (LB-IN)	MAX PEAK TORQUE (LB-IN)	MAX OPERATING TEMP (C°)
MT057-1	325	6000	4.5	15	145
MT057-2	325	6000	9	30	145
MT057-3	325	6000	13	45	145
MT057-4	325	6000	17	60	145

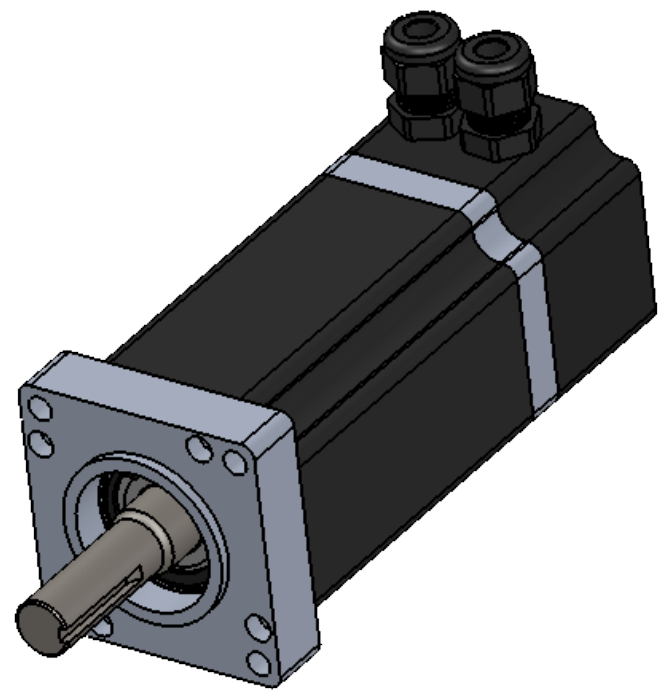
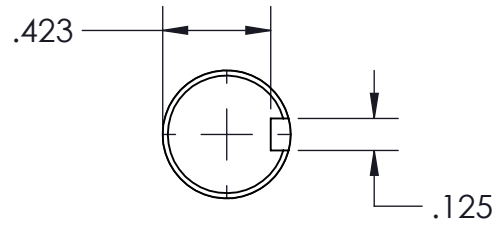
Other options available upon request:

- Front shaft seal
- Thermostat or Thermistor

◇ MT057 2 Stack Shown



DETAIL A
SCALE 4:3



MT057, 8 Pole

UNLESS OTHERWISE SPECIFIED:		TruTech Specialty Motors		
DIMENSIONS: INCHES [Millimeters]		NAME	DATE	TITLE:
TOLERANCES: ANGULAR: $\pm 1/2^\circ$ TWO PLACE DECIMAL $\pm .01$ [.25] THREE PLACE DECIMAL $\pm .005$ [.13]		DRAWN	CR	5/18/2016
Motor Class		CHECKED		
Production Level:		ENG APPR.		
Active		PROPRIETARY AND CONFIDENTIAL THE INFORMATION CONTAINED IN THIS DRAWING IS CONFIDENTIAL AND THE SOLE PROPERTY OF TRU TECH SPECIALTY MOTORS. ANY REPRODUCTION IN PART OR AS A WHOLE WITHOUT THE WRITTEN PERMISSION OF TRU TECH SPECIALTY MOTORS IS PROHIBITED.		
Material:				
Project: FastTrack		SIZE	Part Number:	REV
		B	53-XXXX	A
		SCALE: 2:3	SHEET 1 OF 1	