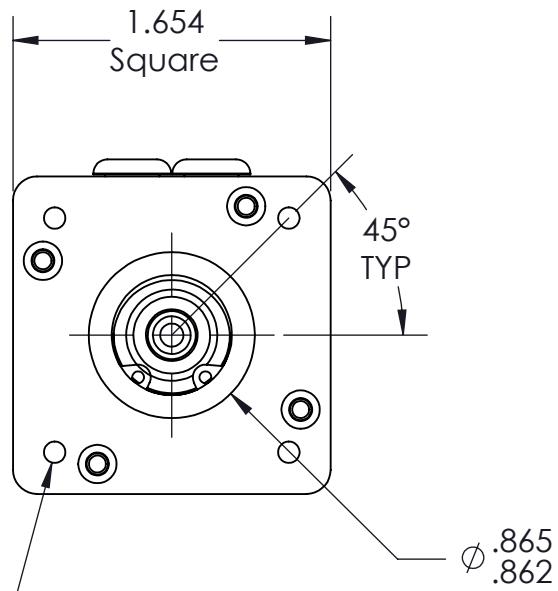


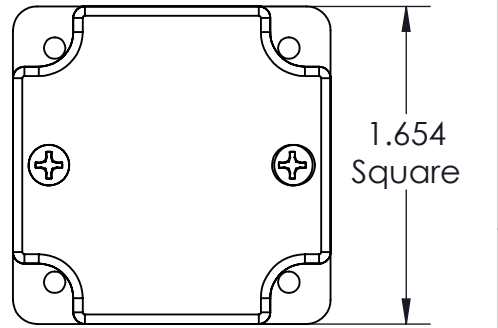
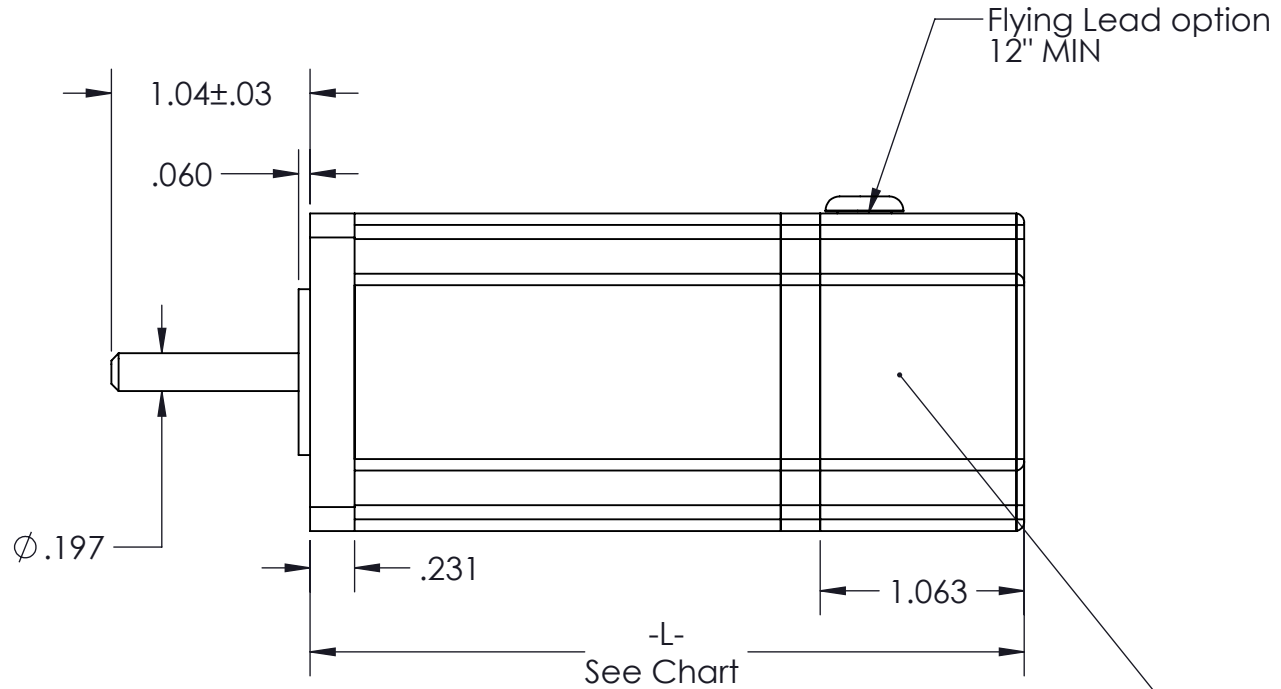
Motor Lengths	
Stack Size	Length -L- [in]
1 Stack	2.970
2 Stack (Shown)	3.345
3 Stack	3.720
4 Stack	4.095
5 Stack	4.470

MOTOR MODEL	MAX VOLTAGE (V)	MAX SPEED (RPM)	MAX CONTINUOUS TORQUE (LB-IN)	MAX PEAK TORQUE (LB-IN)	MAX OPERATING TEMP (C°)
MT040-1	325	6000	1.2	4	145
MT040-2	325	6000	2.4	8	145
MT040-3	325	6000	3.5	12	145
MT040-4	325	6000	4.6	16	145
MT040-5	325	6000	5.7	20	145

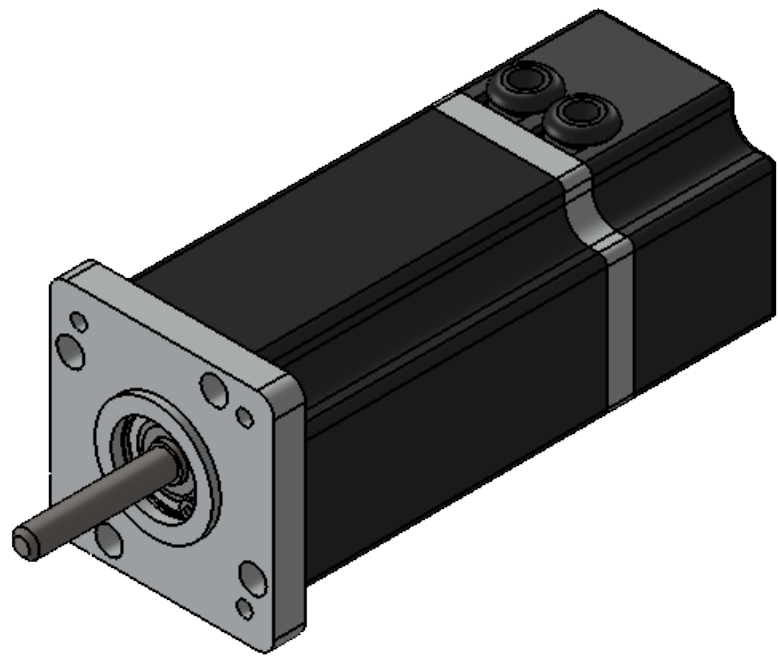
◇ MT040 2 Stack Shown



4X Ø .089 THRU ALL  
4-40 UNC - 2B THRU ALL  
on a Ø 1.725 B.C.



Feedback Options:  
1. Halls Alone  
2. Comtrak Encoder



**MT040, 8 Pole**

**Thermistor available upon request**

UNLESS OTHERWISE SPECIFIED:		<i>TruTech Specialty Motors</i>		
DIMENSIONS: INCHES [Millimeters]		NAME	DATE	TITLE:
TOLERANCES: ANGULAR: ±1/2° TWO PLACE DECIMAL ±.01 [.25] THREE PLACE DECIMAL ±.005 [.13]		DRAWN	CR	5/18/2016
Motor Class		CHECKED		
Production Level:		ENG APPR.		
Material:		<b>PROPRIETARY AND CONFIDENTIAL</b> THE INFORMATION CONTAINED IN THIS DRAWING IS CONFIDENTIAL AND THE SOLE PROPERTY OF TRU TECH SPECIALTY MOTORS. ANY REPRODUCTION IN PART OR AS A WHOLE WITHOUT THE WRITTEN PERMISSION OF TRU TECH SPECIALTY MOTORS IS PROHIBITED.		
Project: FastTrack				
SIZE	Part Number:	REV		
<b>B</b>	<b>53-XXXX</b>	<b>A</b>		
SCALE: 1:1				SHEET 1 OF 1