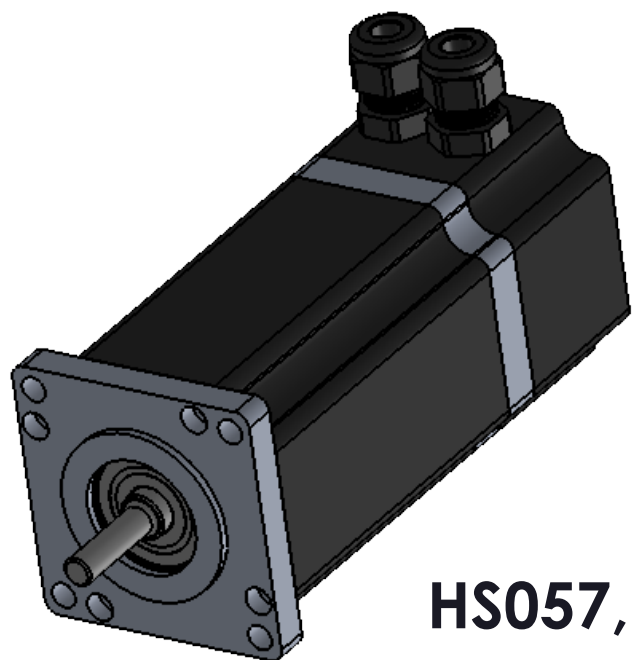
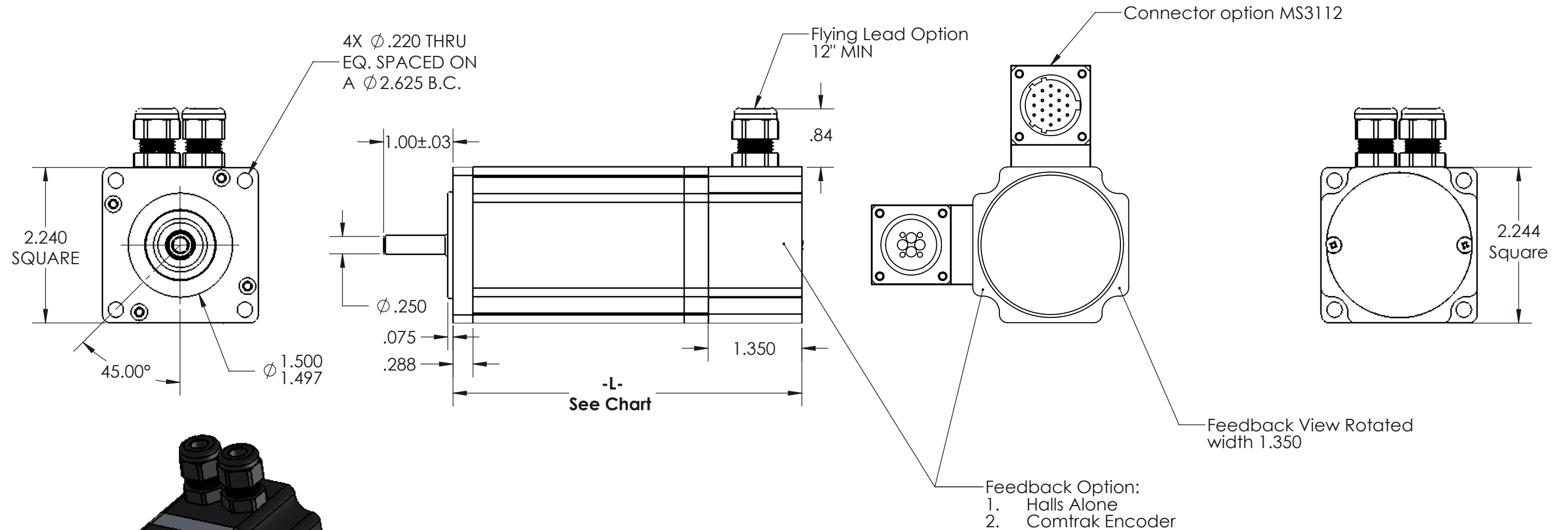


Motor Lengths	
Stack Size	Length -L- [in]
1 Stack	4.007
2 Stack (Shown)	5.023
3 Stack	6.039
4 Stack	7.055

MOTOR MODEL	MAX VOLTAGE (V)	MAX SPEED (RPM)	MAX CONTINUOUS TORQUE (LB-IN)	MAX PEAK TORQUE (LB-IN)	MAX OPERATING TEMP (C°)
HS057-1	325	8000	2.8	7	145
HS057-2	325	8000	5.6	14	145
HS057-3	325	8000	8	20	145
HS057-4	325	8000	10.5	26	145

- Other options available upon request:
- Front shaft seal
 - Thermostat or Thermistor

◇ HS057 2 Stack Shown



HS057, 4 Pole

UNLESS OTHERWISE SPECIFIED:		TruTech Specialty Motors		
DIMENSIONS: INCHES [Millimeters]		NAME	DATE	TITLE:
TOLERANCES: ANGULAR: \pm 1/2° TWO PLACE DECIMAL \pm .01 [.25] THREE PLACE DECIMAL \pm .005 [.13]		DRAWN	CR	5/19/2016
Motor Class		CHECKED		
HS057		ENG APPR.		
Production Level: Active		PROPRIETARY AND CONFIDENTIAL THE INFORMATION CONTAINED IN THIS DRAWING IS CONFIDENTIAL AND THE SOLE PROPERTY OF TRU TECH SPECIALTY MOTORS. ANY REPRODUCTION IN PART OR AS A WHOLE WITHOUT THE WRITTEN PERMISSION OF TRU TECH SPECIALTY MOTORS IS PROHIBITED.		
Material:				
Project: FastTrack		SIZE	Part Number:	REV
		B	53-XXXX	A
		SCALE: 1:5	SHEET 1 OF 1	