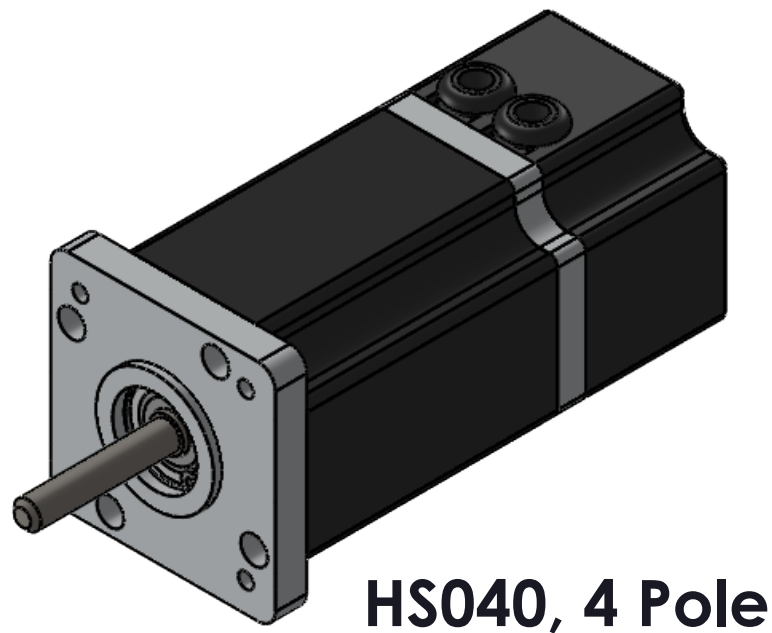
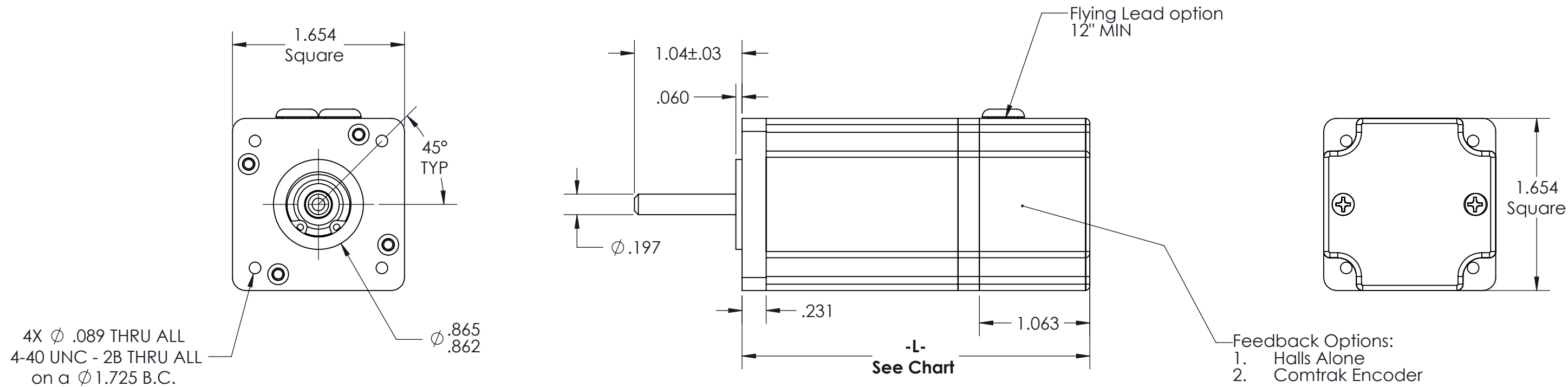


Motor Lengths	
Stack Size	Length -L- [in]
1 Stack	2.970
2 Stack (Shown)	3.345
3 Stack	3.720
4 Stack	4.095
5 Stack	4.470

MOTOR MODEL	MAX VOLTAGE (V)	MAX SPEED (RPM)	MAX CONTINUOUS TORQUE (LB-IN)	MAX PEAK TORQUE (LB-IN)	MAX OPERATING TEMP (C°)
HS040-1	325	10000	.75	1.5	145
HS040-2	325	10000	1.12	3	145
HS040-3	325	10000	1.56	4.5	145
HS040-4	325	10000	1.94	7.5	145
HS040-5	325	10000	2.25	7.5	145

Thermistor available upon request

◇ HS040 2 Stack Shown



HS040, 4 Pole

UNLESS OTHERWISE SPECIFIED:		TruTech Specialty Motors		
DIMENSIONS: INCHES [Millimeters]		NAME	DATE	TITLE:
TOLERANCES: ANGULAR: $\pm 1/2^\circ$ TWO PLACE DECIMAL $\pm .01$ [.25] THREE PLACE DECIMAL $\pm .005$ [.13]		DRAWN	CR	5/18/2016
Motor Class		CHECKED		
Production Level:		ENG APPR.		
Material:		PROPRIETARY AND CONFIDENTIAL THE INFORMATION CONTAINED IN THIS DRAWING IS CONFIDENTIAL AND THE SOLE PROPERTY OF TRU TECH SPECIALTY MOTORS. ANY REPRODUCTION IN PART OR AS A WHOLE WITHOUT THE WRITTEN PERMISSION OF TRU TECH SPECIALTY MOTORS IS PROHIBITED.		
Project: FastTrack				
		SIZE	Part Number:	REV
		B	53-XXXX	A
		SCALE: 1:1	SHEET 1 OF 1	