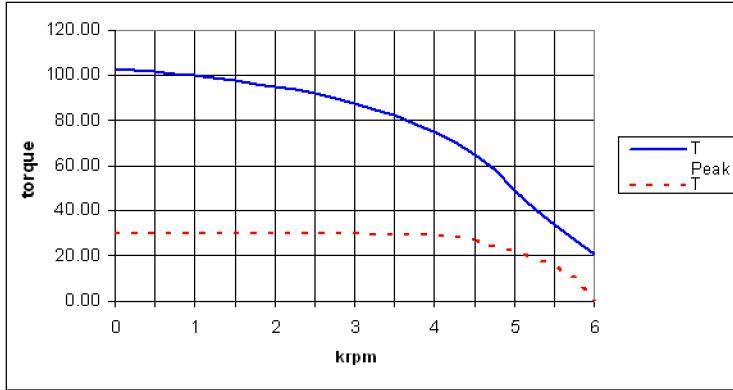
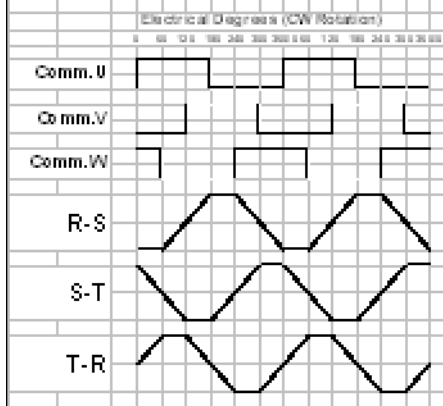


MOTOR CHARACTERISTICS @25°C			
	TOL.	UNITS	VALUE
MAX. OPERATING SPEED (Snl)	MAX.	R.P.M.	6000
CONTINUOUS TORQUE (Tc)	MAX.	LB-IN	30.9
PEAK TORQUE (Tp)	MAX.	LB-IN	103
TORQUE SENSITIVITY (Kt)	±10%	LB-IN/AMPS	3.44
BACK EMF CONSTANT (Ke) (L-L, Pk.)	±10%	V/K R.P.M.	42
D.C. RESISTANCE (Rt) (L-L)	±10%	OHMS	.84
INDUCTANCE (L) (L-L)	±15%	mH	1.6
DAMPING TORQUE (Td)	NOM.	LB-IN/KRPM	.13
FRICITION TORQUE (Tf)	NOM.	LB-IN	.7
ROTOR INERTIA (Ja)	NOM.	LB-IN-SEC <sup>2</sup>	.0026
WINDING TEMPERATURE	MAX.	°C	135
WEIGHT	NOM.	LBS	13

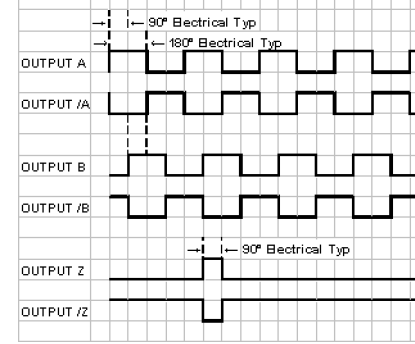


Calculated performance with 300v Bus, 9A Cont, 30A Pk

### 120 Degree Timing Diagram



### Encoder Timing



NOTE: Snap action thermostat emebdded in motor winding. Normally closed, opens at 135°C

### REVISIONS

REV	DESCRIPTION	DATE
P1	PRELIMINARY	4-1-11
P2	Revised and added specs	12/12/11
P3	Added pinout and thermostat data	12/14/11

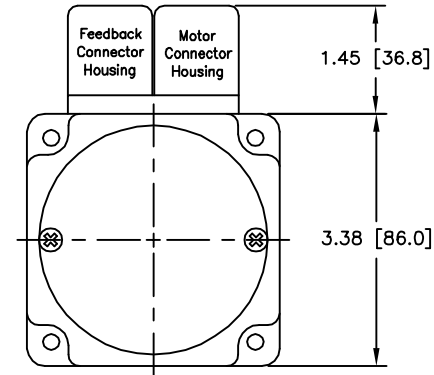
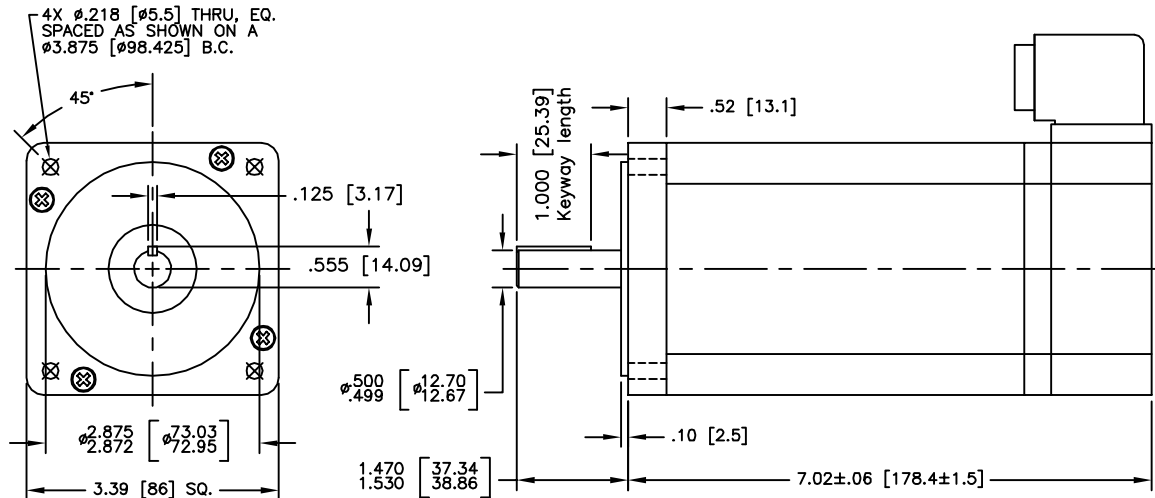
### Feedback Connector

Pin	Function
A	Therm
B	Therm
C	V
D	Z
E	/Z
F	A
G	/A
H	GND
J	N.C.
K	+5V
L	N.C.
M	U
N	B
P	/B
R	W
S	N.C.
T	N.C.
U	N.C.
Y	N.C.

### Motor Connector

Pin#	Function
1	Phase R
2	Phase S
3	Phase T
4	Case Gnd

DIMENSIONS: INCHES [MILLIMETERS]



**Trutech Speciality Motors**

TITLE MTS0863k42-E1000B

TOLERANCES ON DECIMALS	NUMBER
XX ±.010 [0.25]	53-0130-ES
XXX ±.005 [0.13]	
ANGLES ±1/2	SCALE .75:1 SHEET 1 of 1